

This kind of Pixel Light is made PVC housing and pouring with the high standard PU glue. And they're apply to electronic signage board, channel letters, and a part of light boxes.

The size of its outlook is 9mm, it can be made into point control or ground control if necessary. The distance of installation depends on the operating environments, suggested distance: 2 to 4cm. Features: easily installation, high-brightness, long life, gorgeous colors.et

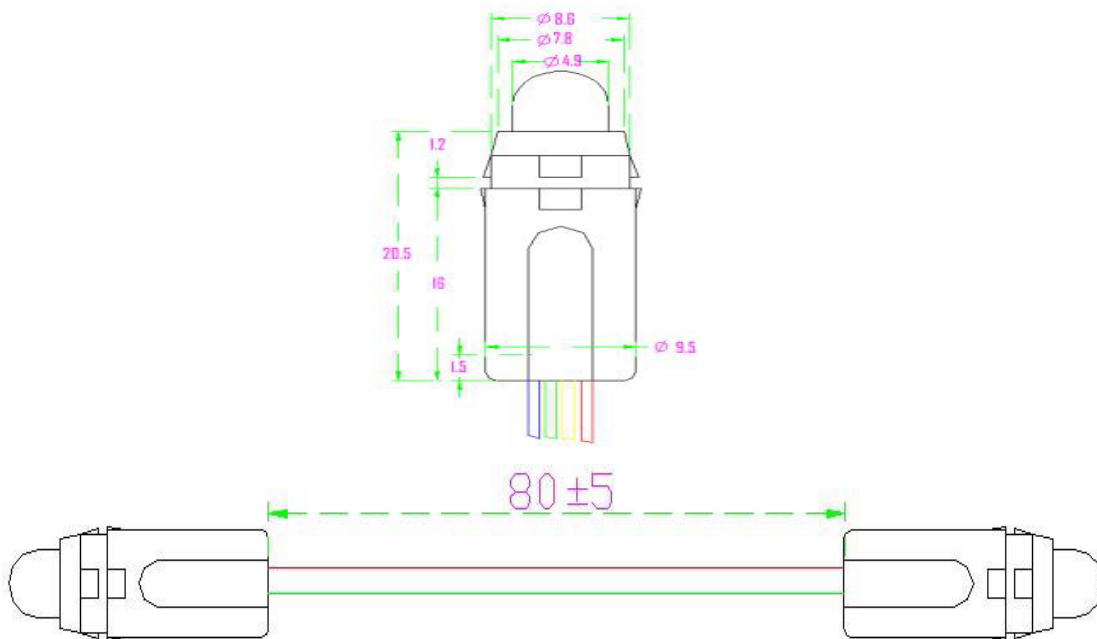
### Electrical Parameter

Model No.	LED Type	Angle	LED Color	Luminous Flux (lm)	Wavelength/ Color temp. (nm/K)	Working Voltage (V)	Power (W)	Working life (h)
SP-F0912VR	φ8 Rat	160°	Red	7-8	620-625	DC 12V	0.2W/PCS	20000h
SP-F0912VG			Green	16-18	515-520			
SP-F0912VB			Blue	7-8	465-470			
SP-F0912VY			Yellow	16-18	588-593			
SP-F0912VWW			Warm	18-20	2700-3300K			
SP-F0912VW			White light	20-22	6000-7000K			
SP-F0912VCW			Cool white	16-18	9000-13000K			

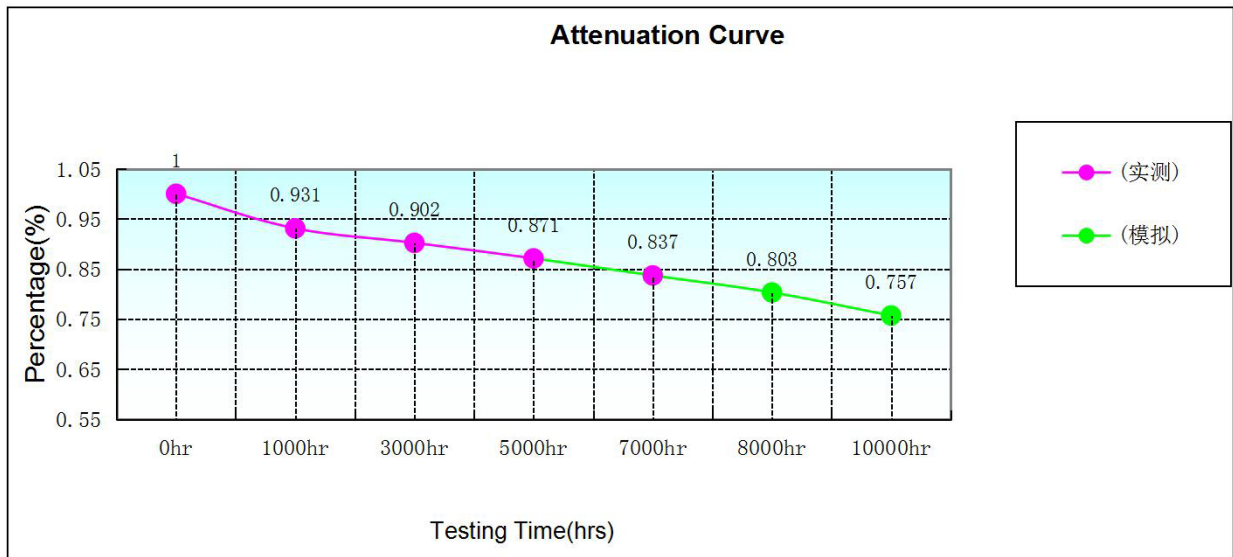
### Others

LED QTY	Cascade QTY	IP rating	Wire	Shell	Driving Type	Fasten Type	Working temp.	Store temp.
1pcs	≤ 50pcs	IP67	22# grey&white	Wate clear PVC	constant voltage	screens	-40 — +50	-40 — +50

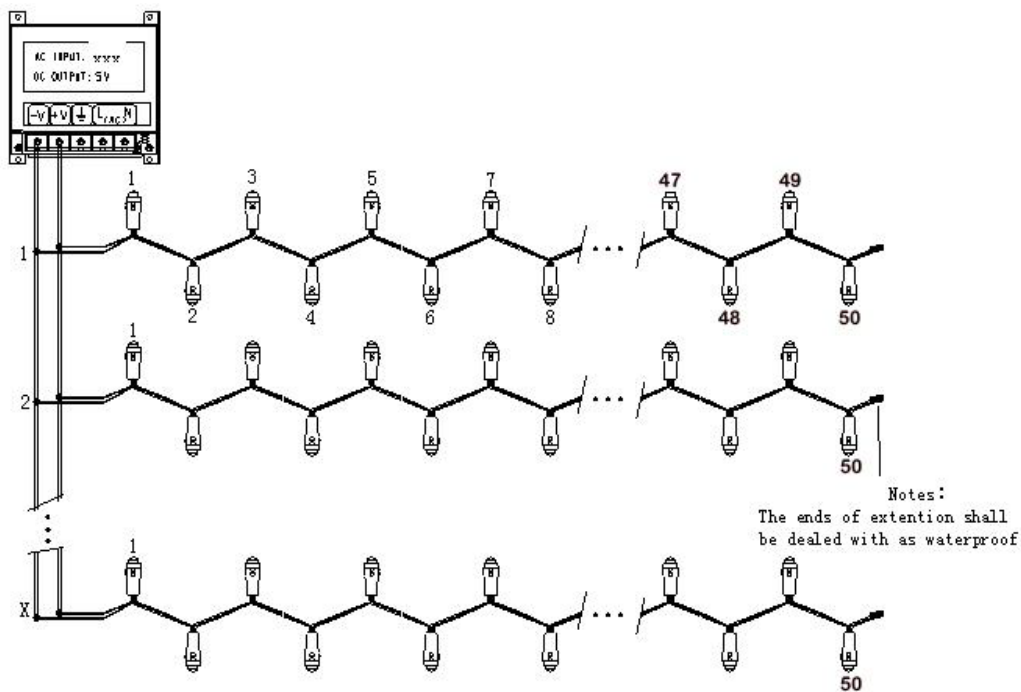
### Dimension (Unit : mm) :



## Optical attenuation curve



## Connection Diagram (Unit : mm) :



## Notes :

- 1、 The thickness of the wires shall be adopted based on the possible current, products power, length of the wire extension (5 meter at maximum as recommended) and the loss in the wires transit at low voltage.
- 2、 The both ends of extension shall be dealt with as waterproof ;
- 3、 Don't work under the situations of touching in static-electronics environments or light on
- 4、 The products can be connected to 50 pcs at maximum and no exceed;
- 5、 Suggest choosing high-qualified switch power ( have short electronics , overvoltage and overloading protection function etc).